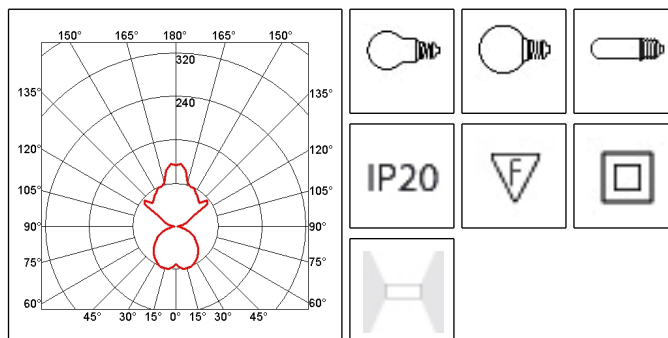
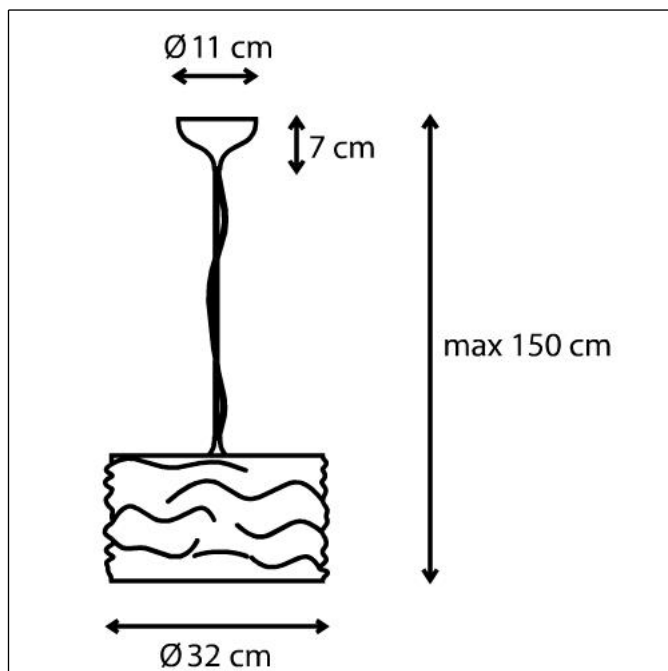




0927010A
Aqua Cil sospensione
Chrome

Suspension lamp, with matching table and floor versions. "The Aqua Cil series of products not only contain light; internally reflecting the waves outward in a broad but soft way" but also externally the mirror properties of the algorithms reflect and dematerialize the physicality of the object". The suspension cables are also feed cables.

Materials: die-cast aluminium structure; hydroformed and mirror-treated aluminium diffuser; injection-moulded methacrylate ceiling rose. Colours: opaque chrome (structure); polished chrome; metallic polished orange; metallic polished blue. Light emission: direct and indirect.



Luminaire

Item Code:	0927010A
Designer name:	Ross Lovegrove
Product typology:	Suspension luminaires
Material:	Die-cast aluminium
Colour:	Chrome
Weight (Kg):	0

Light source

ILCOS code:	IAA/C, IAG/WP, HSGSBT/C
Lamp category:	Incandescent lamps, Halogen lamps with mains voltage
Number of lamps:	1
Lamp type:	A60, G95, QT32
Base:	E27
Lamp power (W):	150
Lamp duration (h):	1000, 2000
Luminous flux (lm):	2200, 1800, 2500
Voltage (V):	220V-240V
Colour rendering index (Ra):	1A

Optics

Light emission:	Direct/Indirect
Diffuser finish material:	Hydroformed and mirror-treated aluminium

Electrical equipment

Mains voltage (V):	220V-240V
--------------------	-----------

Installation

Environment:	Indoor
Mounting location:	Ceiling pendant



0938010A
Diffuser
Moulded and mirror-treated aluminium diffuser

Polished chrome
320



0938020A
Diffuser
Moulded and mirror-treated aluminium diffuser

Metallic polished orange
320



0938030A
Diffuser
Moulded and mirror-treated aluminium diffuser

Metallic polished blue
320