

**FUCSIA 1**

Mounting	: Suspension
Type of ceiling pendant	: Suspension cable
Lamps description	: 1 x MAX 40W E14 IBM
Environment	: Indoor
Finish	: White
Technical description	: Suspension lamp providing direct light. 1 hand blown glass conical diffuser with sandblasted edge. Injection-molded, opaline silicone diffuser protection ring. Gloss white powder-coated tubular steel body. Rose assembly consisting of ceiling fitting and 30% fiberglass reinforced polyamide cover, both injection-molded.

**ELECTRICAL**

Emergency	: Without
Voltage (V)	: 230

**PHYSICAL**

Supply	: Terminal block
Cord length(mm)	: 2660
Construction material	: Glass or Silicone or Steel
Weight (kg)	: 1
Minimum distance from illuminated object (mm)	: 300



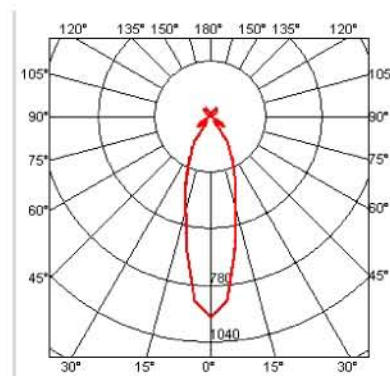
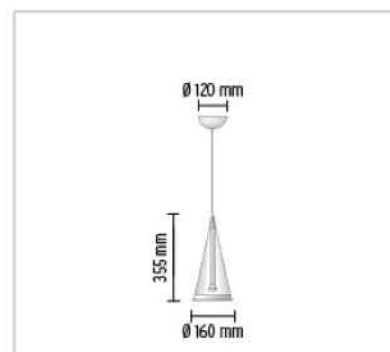
**Fucsia 1**  
design by Achille Castiglioni

Suspension lamp providing direct light

**Reference Code**

○ **F2410000**      **White**

**Certifications**



**FUCSIA 3**

Mounting	: Suspension
Type of ceiling pendant	: Suspension cable
Lamps description	: 3 x 40W E14 IBM
Environment	: Indoor
Finish	: White
Technical description	: Suspension lamp providing direct light. 3 hand blown glass conical diffusers with sandblasted edges. Injection-molded, opaline silicone diffuser protection rings. Gloss white powder-coated tubular steel bodies. Ceiling rose assembly consisting of 3 white painted, die-cast aluminum arms. Rose consisting of ceiling fitting and 30% fiberglass reinforced polyamide cover, both injection-molded.

**ELECTRICAL**

Emergency	: Without
Voltage (V)	: 230

**PHYSICAL**

Supply	: Terminal block
Cord length(mm)	: 2660
Construction material	: Glass or Silicone or Steel
Weight (kg)	: 2,5
Minimum distance from illuminated object (mm)	: 300



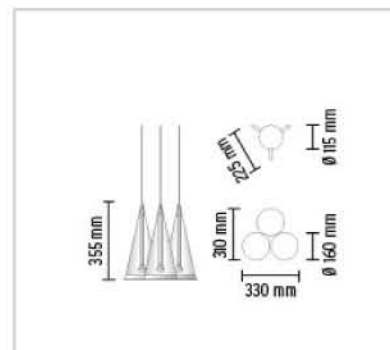
**Fucsia 3**  
design by Achille Castiglioni

Suspension lamp providing direct light

**Reference Code**

○ **F2411000**      **White**

**Certifications**



### FUCSIA 8

Mounting	: Suspension
Type of ceiling pendant	: Suspension cable
Lamps description	: 8 x MAX 40W E14 IBM
Environment	: Indoor
Finish	: White
Technical description	: Suspension lamp providing direct light. 8 hand blown glass conical diffusers with sandblasted edges. Injection-molded, opaline silicone diffuser protection rings. Gloss white powder-coated tubular steel bodies. Ceiling rose assembly consisting of 8 extruded aluminum arms and 30% fiberglass reinforced, injection molded polyamide side plugs. Pressed and galvanized steel ceiling fitting.

### ELECTRICAL

Emergency	: Without
Voltage (V)	: 230

### PHYSICAL

Supply	: Terminal block
Cord length(mm)	: 2660
Construction material	: Glass or Silicone or Steel
Weight (kg)	: 8,9
Minimum distance from illuminated object (mm)	: 300



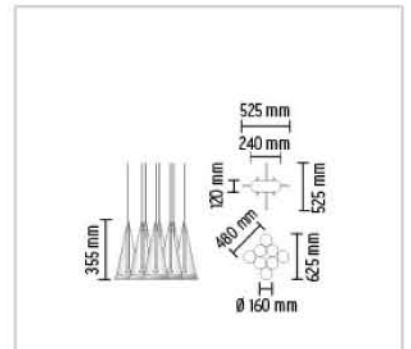
**Fucsia 8**  
design by Achille Castiglioni

Suspension lamp providing direct light

### Reference Code

○ **F2412000**      **White**

### Certifications



**FUCSIA 12**

Mounting	: Suspension
Type of ceiling pendant	: Suspension cable
Lamps description	: 12 x MAX 40W E14 IBM
Environment	: Indoor
Finish	: White
Technical description	: Suspension lamp providing direct light. 12 hand blown glass conical diffusers with sandblasted edges. Injection-molded, opaline silicone diffuser protection rings. White powder-coated tubular steel bodies. Ceiling rose assembly consisting of 12 extruded aluminum arms and 30% fiberglass reinforced, injection molded polyamide side plugs. Pressed and galvanized steel ceiling fitting.

**ELECTRICAL**

Emergency	: Without
Voltage (V)	: 230

**PHYSICAL**

Supply	: Terminal block
Cord length(mm)	: 2660
Construction material	: Glass or Silicone or Steel
Weight (kg)	: 14,3
Minimum distance from illuminated object (mm)	: 300



**Fucsia 12**  
design by Achille Castiglioni

Suspension lamp providing direct light

**Reference Code**

○ **F2413000**      **White**

**Certifications**

